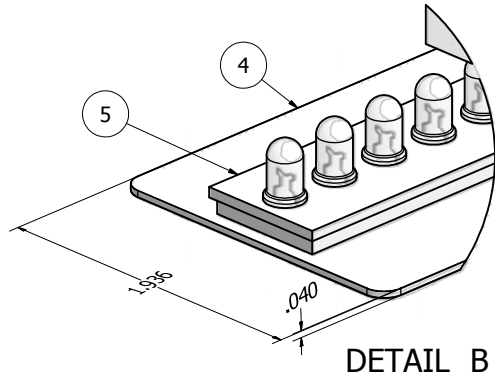


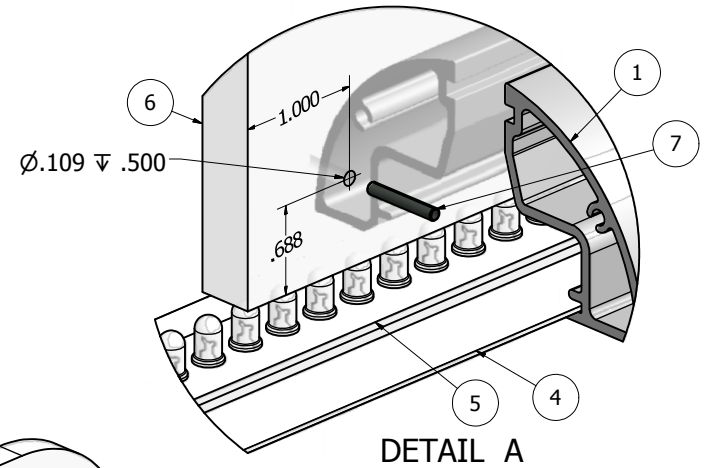
Parts List			
ITEM	PART #	DESCRIPTION	NOTES
1	1995	Edge Lit LED 1/2 Round	
2	5905	Edge Lit LED 1/2 Round Cap	
3	5940	LED Cap Screw	
4		LED Mounting Strip	1.9375" (W) x .040 (T) Flat Aluminum Sheet - NOT INCLUDED
5		LED Strip	Led's - NOT INCLUDED
6		Clear Plex Panel	1/2" Plex - NOT INCLUDED
7	5945	LED Spring Pin	3/32" X 5/8" stainless steel pin - drill 7/64 pilot hole 6" to 12" on center

Ship To:

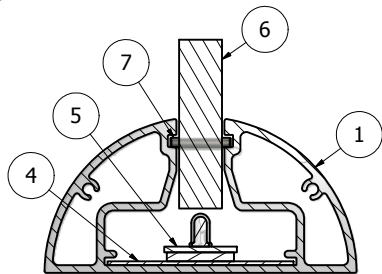
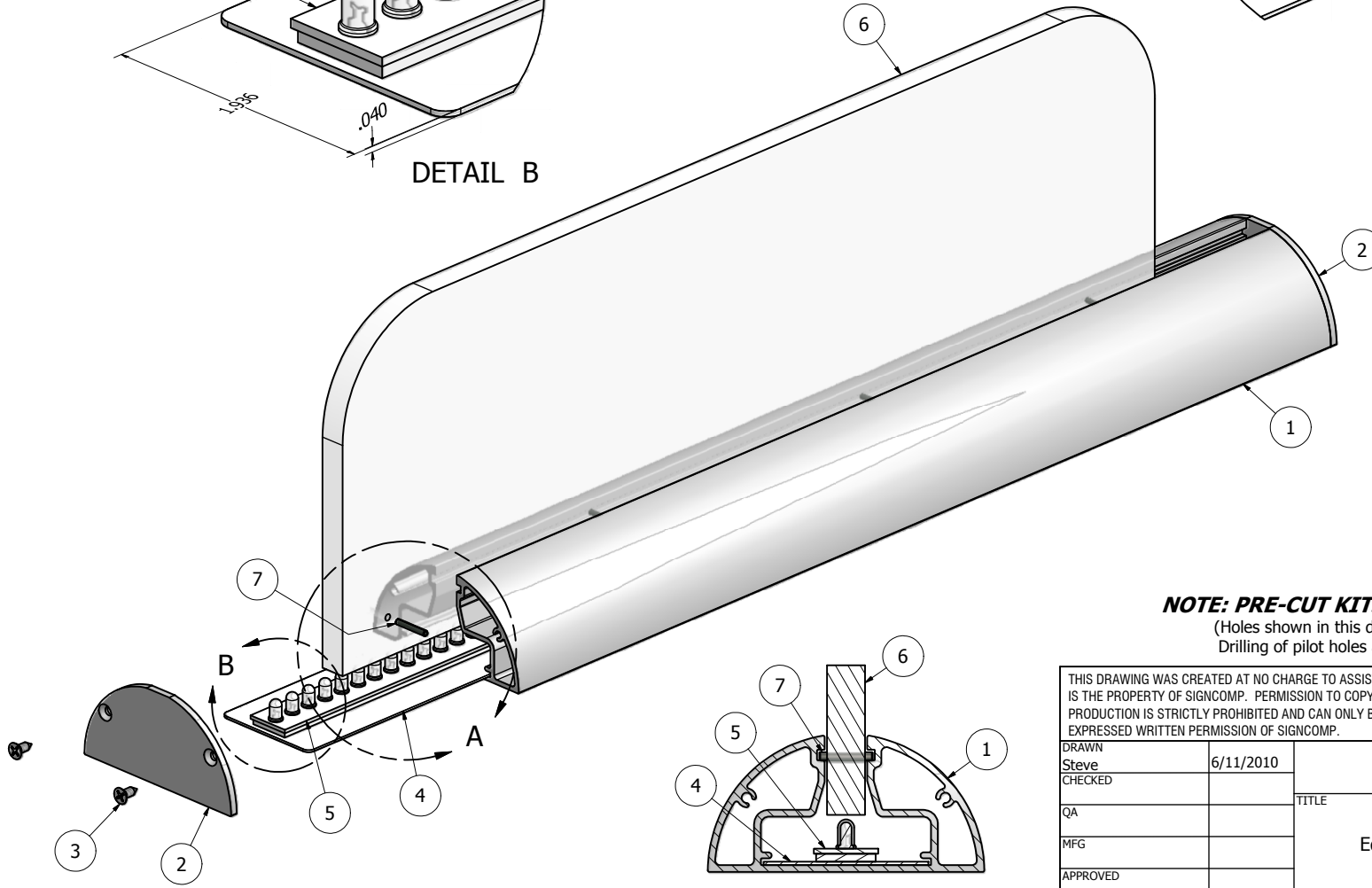
Order Number:



DETAIL B



DETAIL A



SECTION C-C

NOTE: PRE-CUT KITS ARE NOT PRE-DRILLED.

(Holes shown in this drawing are for reference only.
Drilling of pilot holes are to be done by fabricator.)

THIS DRAWING WAS CREATED AT NO CHARGE TO ASSIST YOU IN VISUALIZING OUR PROPOSAL. THE DRAWING HEREIN IS THE PROPERTY OF SIGNCOMP. PERMISSION TO COPY OR REVISE THIS DRAWING OR TO USE THIS DRAWING FOR PRODUCTION IS STRICTLY PROHIBITED AND CAN ONLY BE COPIED, REVISED OR USED FOR PRODUCTION WITH THE EXPRESSED WRITTEN PERMISSION OF SIGNCOMP.

DRAWN Steve	6/11/2010	SignComp	
CHECKED			
QA		TITLE	
MFG		Edge Lit LED 1/2 Round - Assembly	
APPROVED		SIZE C	DWG NO 1995
		SCALE	REV
		SHEET 1 OF 1	